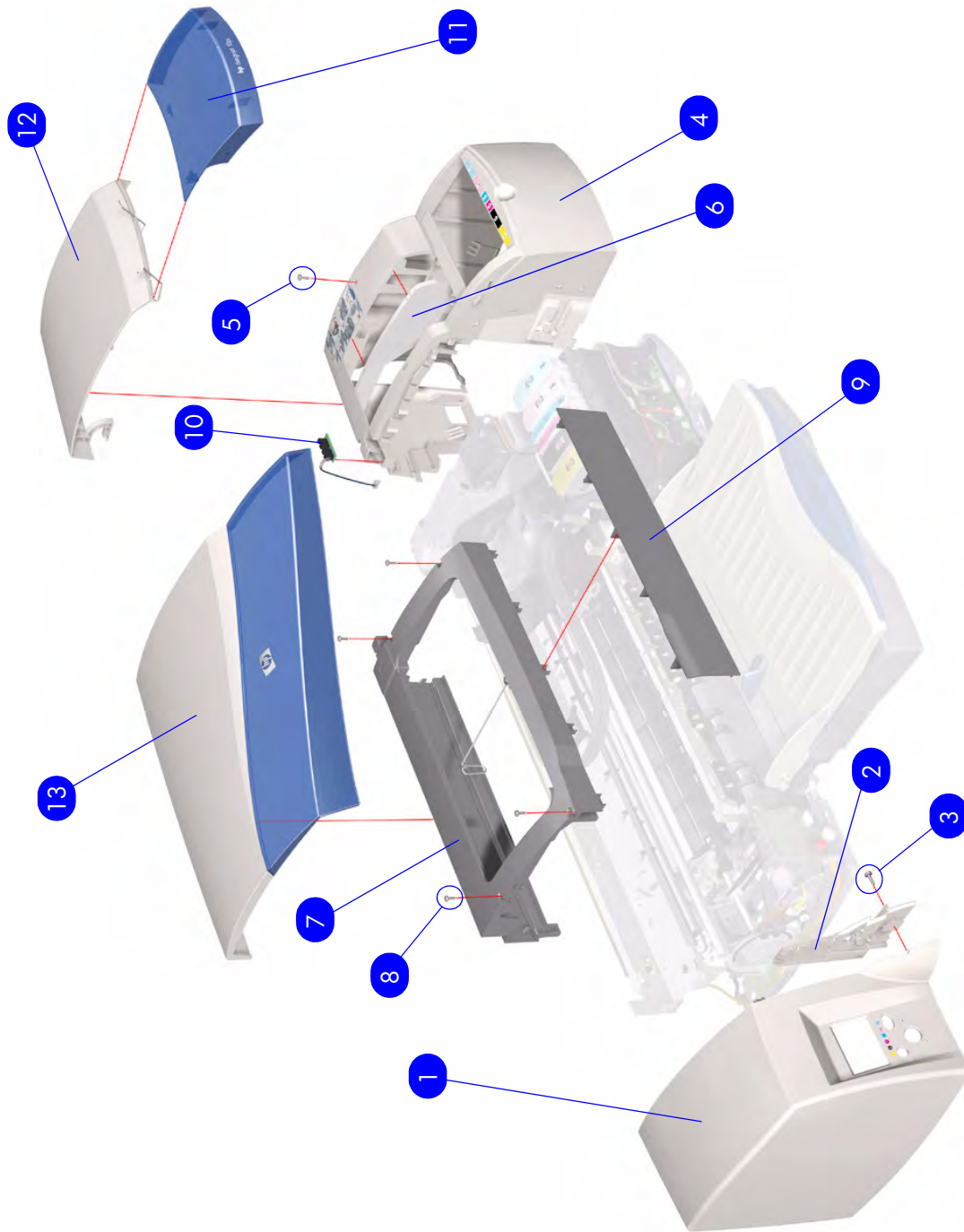


## Cover Assemblies

### Applicable Designjets: Only 10ps, 20ps, 50ps, 30, 30n

Cover Assemblies			
Reference on Drawing	HP Part Number	Quantity	Description/Comments
1	C7790-60118	1	Left Cover (Includes Front Panel Label) (Applicable to 10ps,20ps,50ps)
1	C7790-60447	1	Left Cover (Includes Front Panel Label) (Applicable to 30 & 30n)
2	C7790-60108	1	Left Trim (Applicable to 10ps,20ps,50ps)
2	C7790-60444	1	Left Trim (Applicable to 30 & 30n)
3	0515-2811	2	Screw
4	C7790-60117	1	Right Cover (includes the Right Trim, Instruction Label, Ink Family Number Label and Ink Color Label) (Applicable to 10ps,20ps,50ps)
	C7790-60456	1	Right Cover (includes the Right Trim, Instruction Label, Ink Family Number Label and Ink Color Label) (Applicable to 30 & 30n)
5	0515-2812	1	Screw
6	C7790-60295	1	Filter Assembly
7	C7790-60100	1	Back Cover (Center Cover) (Applicable to 10ps,20ps,50ps)
	C7790-60100	1	Back Cover (Center Cover) (Applicable to 30 & 30n)
8	0515-2811	4	Screw
9	C7790-60102	1	Front Cover (Applicable to 10ps,20ps,50ps)
10	Q1293-60054	1	Door Sensor Assembly
11	C7790-60292	1	Ink Cartridge Door <b>10ps</b>
	C7790-60293	1	Ink Cartridge Door <b>20ps</b>
	C7790-60452	1	Ink Cartridge Door <b>30</b>
	C7790-60453	1	Ink Cartridge Door <b>30n</b>
	C7790-60294	1	Ink Cartridge Door <b>50ps</b>
12	C7790-60106	1	Printhead Door Assembly (includes Ink Cartridge Door Hinge and Printhead Door Label) (Applicable to 10ps,20ps,50ps)

	C7790-60457	1	Printhead Door Assembly (includes Ink Cartridge Door Hinge and Printhead Door Label) (Applicable to 30 & 30n)
13	C7790-60086	1	Access Door Assembly (Applicable to 10ps, 20ps, 50ps)
	C7790-60443	1	Access Door Assembly (Applicable to 30 & 30n)

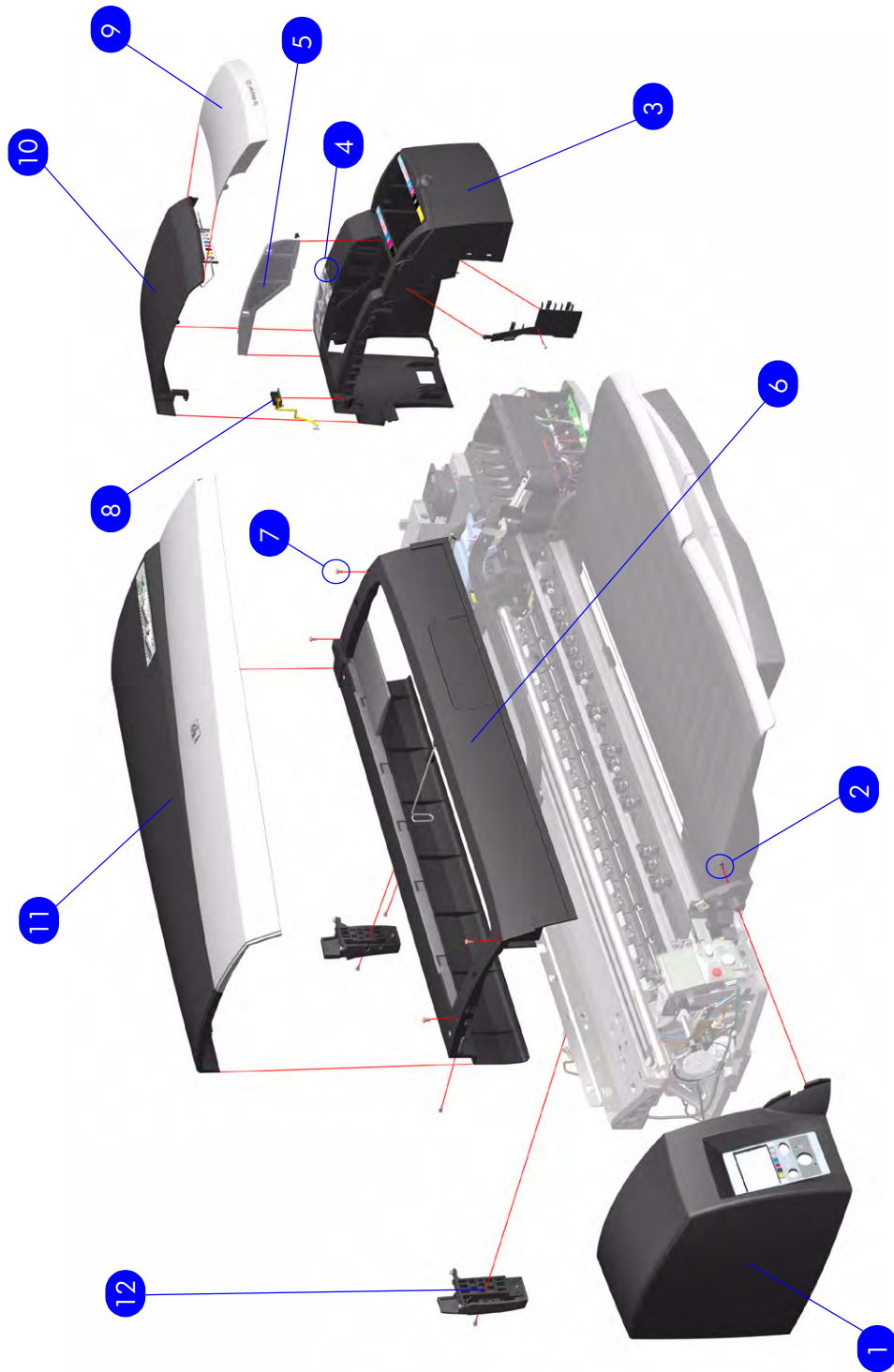


**Figure 1: Cover Assemblies**

## Cover Assemblies

Cover Assemblies			
Reference on Drawing	HP Part Number	Quantity	Description/Comments
1	C7791-60300	1	Left Cover (Includes Front Panel Label) (Applicable to 130 & 130nr)
	C7796-60018	1	Left Cover (Includes Front Panel Label) (Applicable to 100, 100+, 110, 110+, 110+nr)
	C7791-60137	1	Left Cover (Includes Front Panel Label) (Applicable to 120 & 120nr)
	Q6655-60091	1	Left Cover (Includes Front Panel Label) (Applicable to 70)
	Q6656-60062	1	Left Cover (Includes Front Panel Label) (Applicable to 90, 90r)
2	0515-2811	2	Screw
3	C7791-60286	1	Right Cover (Applicable to 90, 90r, 130 & 130nr)
	C7796-60064	1	Right Cover (Applicable to 70, 100, 100+, 110, 110+, 110+nr)
	C7791-60311	1	Right Cover (Applicable to 120 & 120nr)
4	0515-2812	1	Screw
5	C7790-60295	1	Filter Assembly
6	C7791-60285		Back Cover (Center Cover) (Applicable to 130 & 130nr)
	C7791-60310	1	Back Cover (Applicable to 100, 100+, 110, 110+, 110+nr, 120 & 120nr)
	Q6655-60092	1	Back Cover (Applicable to 70)
	Q6656-60063	1	Back Cover (Applicable to 90, 90r)
7	0515-2811	4	Screw
8	Q1293-60054	1	Door Sensor Assembly
9	Q6655-60093		Ink Cartridge Door (Applicable to <b>70</b> )
	Q6656-60064		Ink Cartridge Door (Applicable to <b>90</b> )
	Q6656-60079		Ink Cartridge Door (Applicable to <b>90r</b> )
	C7791-60294	1	Ink Cartridge Door (Applicable to <b>130</b> )
	C7791-60295	1	Ink Cartridge Door (Applicable to <b>130nr</b> )
	C7796-60015	1	Ink Cartridge Door (Applicable to <b>100</b> )
	C7796-60094		Ink Cartridge Door (Applicable to <b>100+</b> )

	C7791-60244	1	Ink Cartridge Door (Applicable to <b>110</b> )
	C7796-60095		Ink Cartridge Door (Applicable to <b>110+</b> )
	C7796-60106		Ink Cartridge Door (Applicable to <b>110+nr</b> )
	C7791-60130	1	Ink Cartridge Door (Applicable to <b>120</b> )
	C7791-60131	1	Ink Cartridge Door (Applicable to <b>120nr</b> )
10	C7790-60457	1	Printhead Door Assembly (includes Ink Cartridge Door Hinge and Printhead Door Label) (Applicable to 90, 90r, 130 & 130nr)
	C7796-60021	1	Printhead Door Assembly (includes Ink Cartridge Door Hinge and Printhead Door Label) (Applicable to 70, 100, 100+, 110, 110+, 110+nr)
	C7790-60106	1	Printhead Door Assembly (includes Ink Cartridge Door Hinge and Printhead Door Label) (Applicable to 120 & 120nr)
11	C7791-60277	1	Access Door Assembly (Applicable to 130 & 130nr)
	C7791-60139	1	Access Door Assembly (Applicable to 120 & 120nr)
	C7796-60020	1	Access Door Assembly (Applicable to 100, 100+, 110, 110+, 110+nr)
	Q6655-60094	1	Access Door Assembly (Applicable to 70)
	Q6656-60065	1	Access Door Assembly (Applicable to 90, 90r)
12	C7791-60216	1	Rear Trim Kit (Applicable to 100, 110+, 110, 110+, 120, 130)



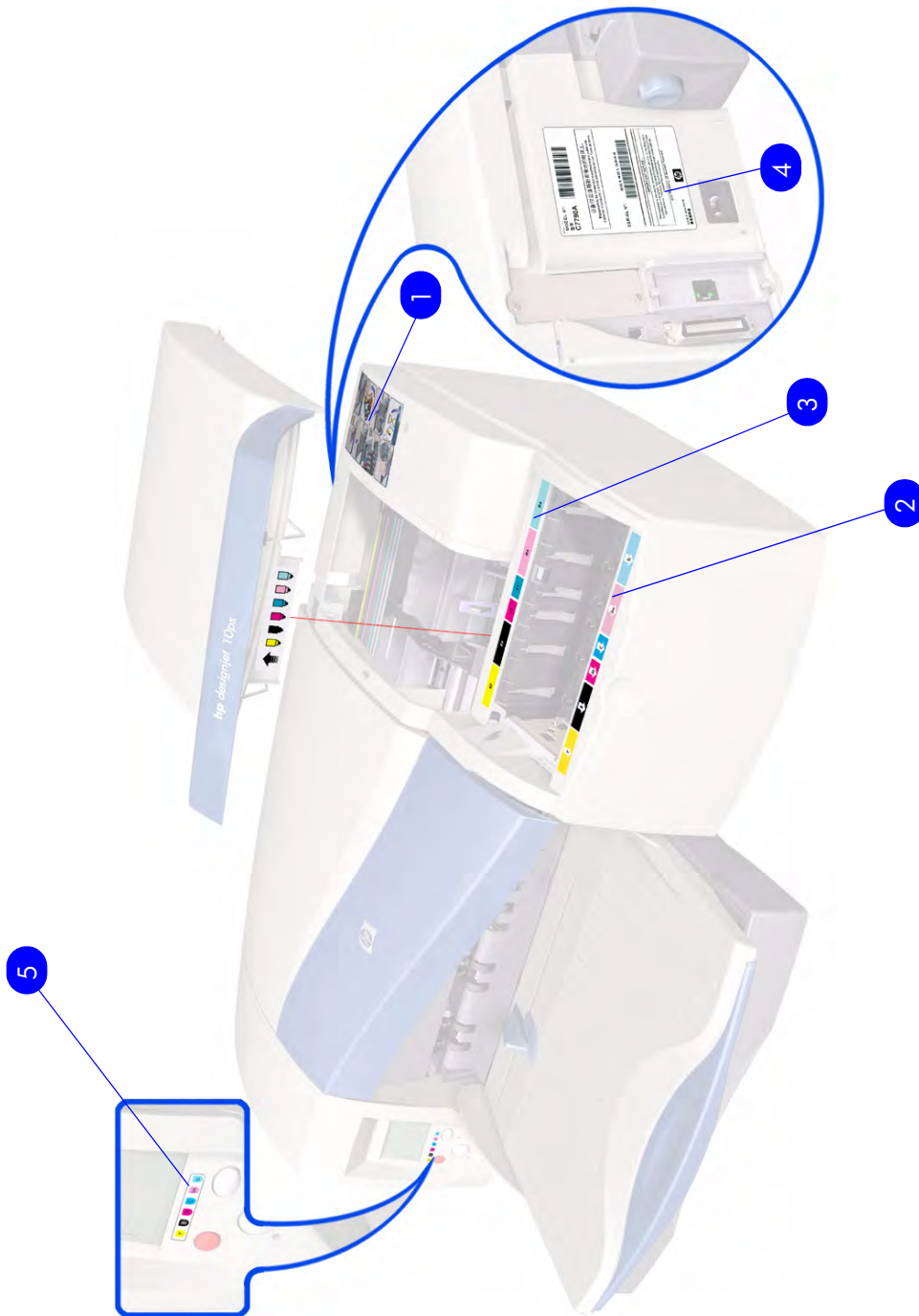
**Figure 2: Cover Assemblies**

## Printer Labels

Printer Labels			
Reference on Drawing	HP Part Number	Quantity	Description/Comments
1	C7790-60202	1	Printhead Access Instructions Label (Applicable to 10ps, 20ps and 50ps)
	C7790-60450	1	Printhead Access Instructions Label (Applicable to 30, 30n, 90, 90r, 130 & 130nr)
	C7796-60041	1	Printhead Access Instructions Label (Applicable to 70, 100, 100+, 110, 110+, 110+nr)
	C7790-60202	1	Printhead Access Instructions Label (Applicable to 120 and 120nr)
2	C8109-67002		Ink Cartridge Color Label (Applicable to 70, 100, 100+, 110, 110+, 110+nr)
	C7790-60201		Ink Cartridge Color Label (Applicable to 10ps, 20ps, 30, 30n, 50ps, 90, 90r, 120, 120nr)
3	C7790-60148		Ink Cartridge Family Label (Applicable to 10ps, 20ps, 50ps, 120, 120nr)
	C7790-60449	1	Ink Cartridge Family Label (Applicable to 30, 30n, 90, 90r, 130 & 130nr)
	C8109-67003	1	Ink Cartridge Family Label (Applicable to 70, 100, 100+, 110, 110+, 110+nr)
4	C7790-60139	1	Serial Number Label <b>10ps</b>
	C7790-00041	1	Serial Number Label <b>20ps</b>
	C7790-60477	1	Serial Number Label <b>30</b>
	C7790-60478	1	Serial Number Label <b>30n</b>
	C7790-00042	1	Serial Number Label <b>50ps</b>
	Q6655-60095	1	Serial Number Label <b>70</b>
	Q6656-60066	1	Serial Number Label <b>90</b>
	Q6656-60080	1	Serial Number Label <b>90r</b>
	C7796-60027	1	Serial Number Label <b>100</b>
	C7796-60098	1	Serial Number Label <b>100+</b>
	C7796-60033	1	Serial Number Label <b>110</b>
	C7796-60099	1	Serial Number Label <b>110+</b>
	C7791-60334	1	Serial Number Label <b>110+nr</b>
	C7791-60148	1	Serial Number Label <b>120</b>

	C7791-60149	1	Serial Number Label <b>120nr</b>
	C7791-60303	1	Serial Number Label <b>130</b>
	C7791-60305	1	Serial Number Label <b>130nr</b>
5	C7790-60213	1	Front Panel Label (Applicable to 10ps, 20ps and 50ps)
	Q6655-60096	1	Front Panel Label (Applicable to 70)
	Q6656-60067	1	Front Panel Label (Applicable to 90, 90r)
	C7790-60451	1	Front Panel Label (Applicable to 30, 30n and 130, 130nr)
	C7796-60042		Front Panel Label (Applicable to 100, 110+, 110, 110+, 110+nr)
	C7791-60255		Front Panel Label (Applicable to 120, 120nr)
-	C7791-60228	1	Load Rollfeed Label (Applicable to 90r, 130nr, 110, 110+, 110+nr, 120nr, 130nr)



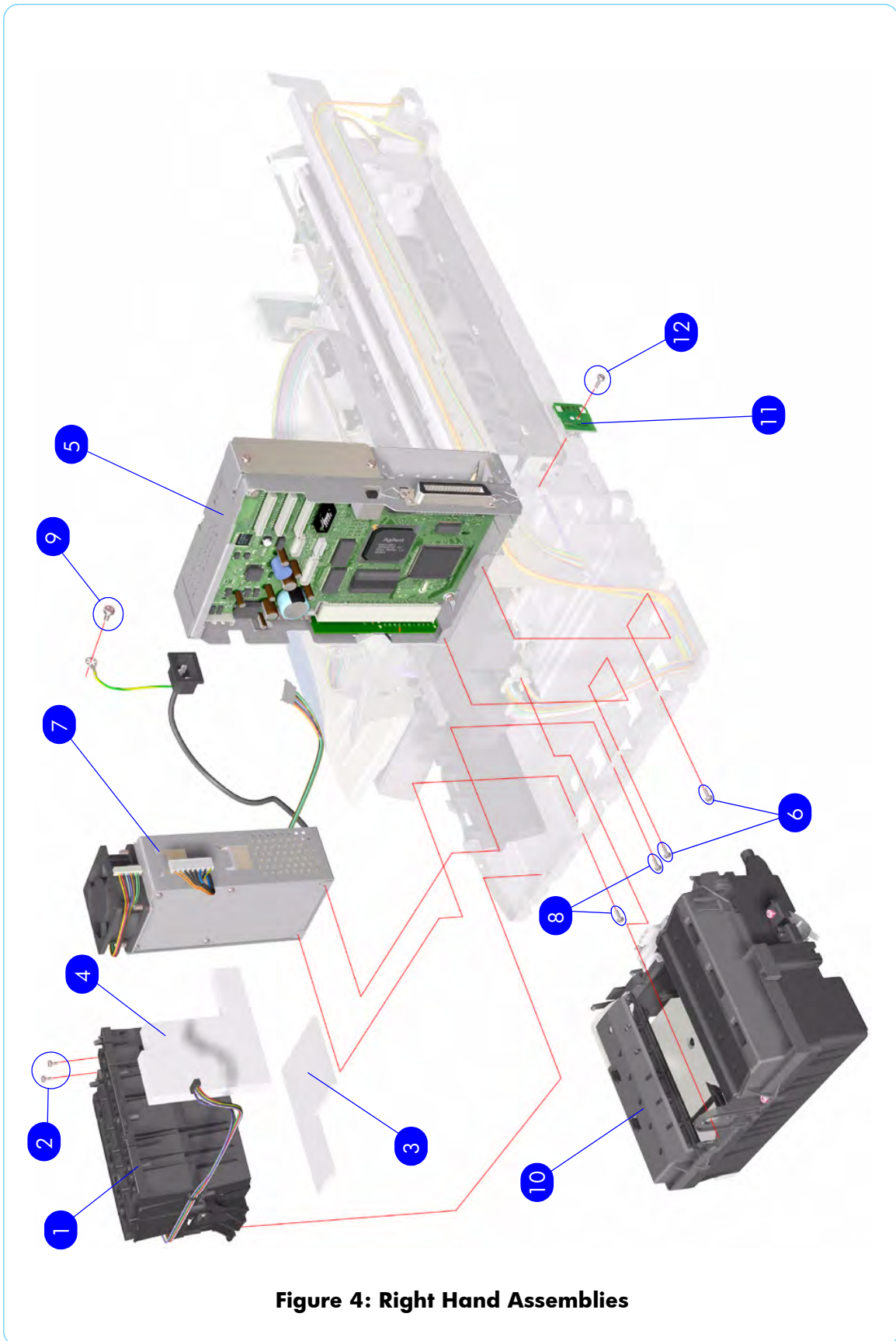


**Figure 3: Printer Labels**

## Right Hand Assemblies

Right Hand Assemblies			
Reference on Drawing	HP Part Number	Quantity	Description/Comments
1	C7790-60419	1	Ink Supply Station Assembly (Applicable to 10ps, 20ps and 50ps)
	C1296-60049	1	Ink Supply Station Assembly (Applicable to 30, 30n, 90, 90r, 130, 130nr)
	C7796-60029		Ink Supply Station Assembly (Applicable to 70, 100, 100+, 110, 110+, 110+nr)
	C7790-60419		Ink Supply Station Assembly (Applicable to 120 and 120nr)
2	0515-2812	2	Screw
3	C7790-60145	1	ISS Bottom Foam (Applicable to 10ps, 20ps and 50p, 30, 30n, 90, 90r, 120, 120nr, 130, 130nr)
	C8109-67022	1	ISS Bottom Foam (Applicable to 70, 100, 100+, 110, 110+, 110+nr)
4	C7790-60144	1	ISS Rear Foam (Applicable to 10ps, 20ps, 50ps, 70, 100, 100+, 110, 110+, 110+nr, 120, 120nr)
	C7790-60470	1	ISS Rear Foam (Applicable to 30, 30n, 90, 90r, 130, 130nr)
5	C7790-60418	1	Electronics Module Assembly (Applicable to 10ps, 20ps and 50ps)
	C1293-60048	1	Electronics Module Assembly (Applicable to 30 and 30n)
	Q6655-60120		Electronics Module Assembly (Applicable to 70)
	Q6656-60093	1	Electronics Module Assembly (Applicable to 90, 90r)
	C1293-60203	1	Electronics Module Assembly (Applicable to 130 and 130nr)
	C7796-60204	1	Electronics Module Assembly (Applicable to 100, 110)
	C7796-60149	1	Electronics Module Assembly (Applicable to 100+, 110+, 110+nr)
	C7791-60132		Electronics Module Assembly (Applicable to 120, 120nr)
6	0515-2599	2	Screw
7	Q1293-60053	1	Power Supply Unit

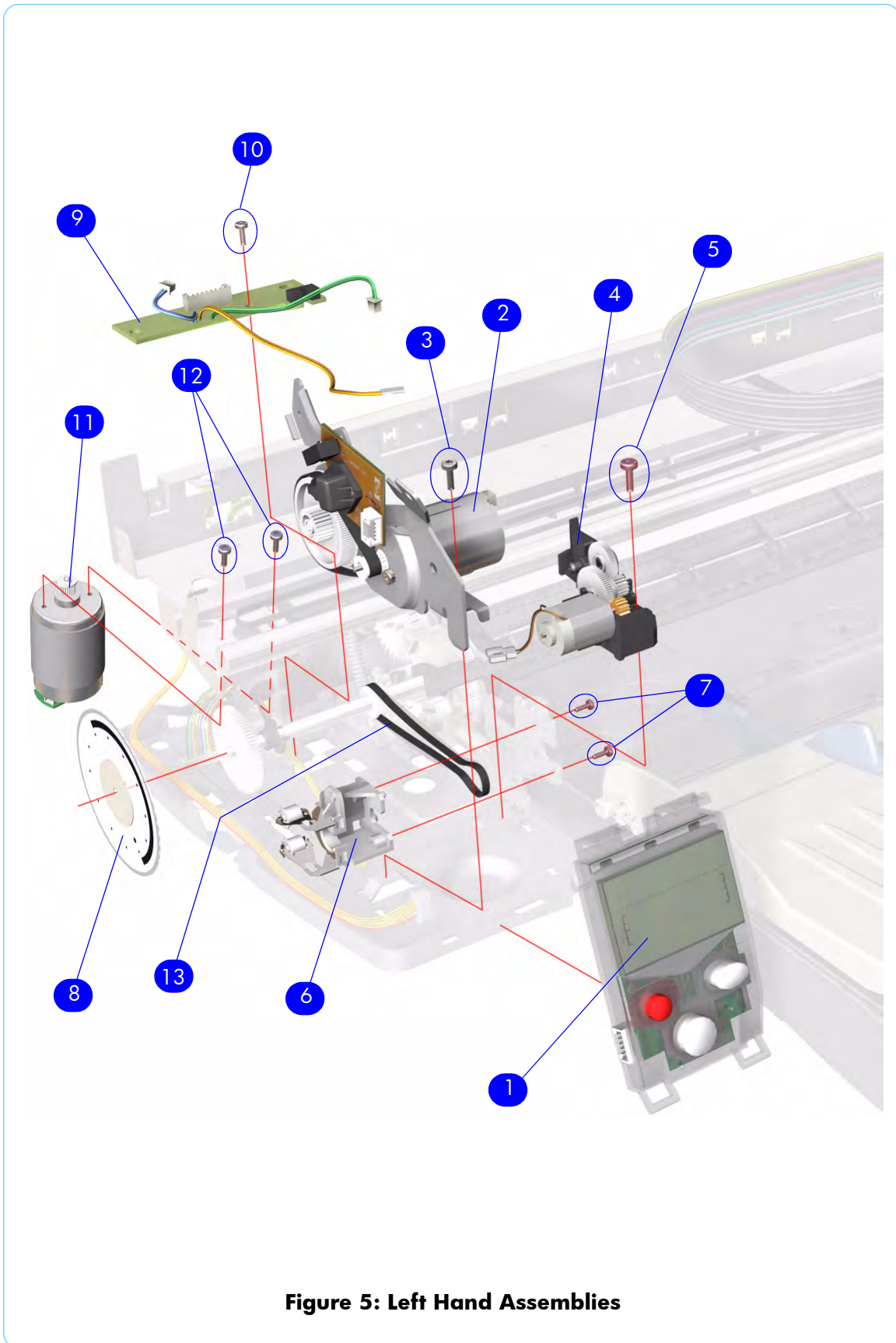
8	0515-2599	2	Screw
9	0515-2812	1	Screw
10	C7790-60435	1	Service Station Assembly (Applicable to 10ps, 20ps and 50ps, 120, 120nr)
	Q1293-60052	1	Service Station Assembly (Applicable to 30 and 30n)
	Q1292-60206	1	Service Station Assembly (Applicable to 90, 90r, 130 and 130nr)
	C7796-60203	1	Service Station Assembly (Applicable to 70, 100, 100+, 110, 110+, 110+nr)
11	C8108-67031	1	Duplexer Interconnect PCA (Applicable to 10ps, 20ps, 50ps, 30, 30n)
	Q1292-60208	1	Duplexer Interconnect PCA (Applicable to 70, 90, 90r, 100, 110, 120, 120nr, 130 and 130nr)
12	0515-2812	1	Screw



**Figure 4: Right Hand Assemblies**

## Left Hand Assemblies

Left Hand Assemblies			
Reference on Drawing	HP Part Number	Quantity	Description/Comments
1	C7790-60109	1	Front Panel Assembly (Includes Front Panel Cable) (Applicable to 10ps, 20ps and 50ps)
	Q1293-60047	1	Front Panel Assembly (Includes Front Panel Cable) (Applicable to 30, 30n, 130, 130nr Printer)
	C7796-60208	1	Front Panel Assembly (Includes Front Panel Cable) (Applicable to 100, 110, 110+, 110+nr, 120, 120nr)
2	Q1292-60218	1	LF Motor Assembly (Paper-Axis Motor)
3	0515-2812	1	Screw
4	Q1292-60219	1	Ramp Drive Assembly
5	0515-2812	1	Screw
6	Q1293-60068	1	Output Mechanism Support Assembly
7	0515-2812	2	Screw
8	C8108-67051	1	Encoder Disc
9	C7790-60200	1	2nd Bin PCBA (Interconnect PCA) (Applicable to 10ps, 20ps and 50ps)
10	0515-2812	1	Screw
11	Q1292-60207	1	Carriage Motor Assembly
12	0515-2812	2	Screw
13	C8108-67048	1	Output Belt



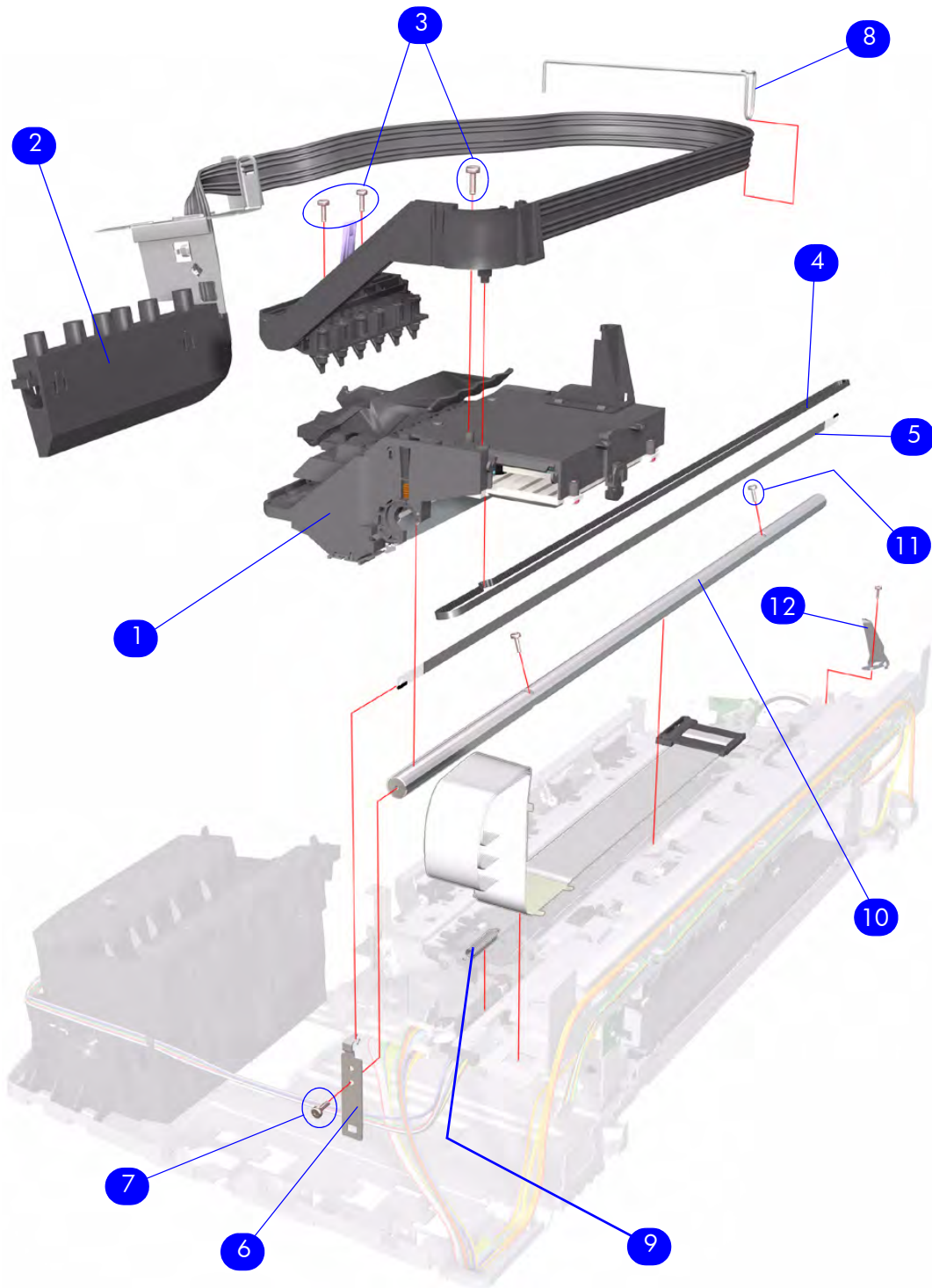
**Figure 5: Left Hand Assemblies**

## Scan-Axis Assemblies

Scan-Axis Assemblies			
Reference on Drawing	HP Part Number	Quantity	Description/Comments
1	C7790-60278	1	Carriage Assembly (Includes Trailing Cable) (Applicable to 10ps, 20ps and 50ps)
	Q1293-60046	1	Carriage Assembly (Includes Trailing Cable) (Applicable to 30 and 30n)
	Q1292-60202	1	Carriage Assembly (Includes Trailing Cable) (Applicable to 130 and 130nr)
	Q6655-60121	1	Carriage Assembly (Includes Trailing Cable) (Applicable to 70)
	Q6656-60094	1	Carriage Assembly (Includes Trailing Cable) (Applicable to 90, 90r)
	C7796-60205	1	Carriage Assembly (Includes Trailing Cable) (Applicable to 100, 100+, 110, 110+, 110+nr)
	C7791-60142	1	Carriage Assembly (Includes Trailing Cable) (Applicable to 120 and 120nr)
	C7790-60112	1	Tubes Assembly (Applicable to 10ps, 20ps and 50ps)
	Q1293-60065	1	Tubes Assembly (Applicable to 30 and 30n)
	Q6655-60140	1	Tubes Assembly (Applicable to 70)
2	Q6656-60103	1	Tubes Assembly (Applicable to 90, 90r)
	Q1292-60235	1	Tubes Assembly (Applicable to 130 and 130nr)
	C7796-60219	1	Tubes Assembly (Applicable to 100, 100+, 110, 110+, 110+nr)
	C7791-60129	1	Tubes Assembly (Applicable to 120 and 120nr)
	0515-2675	3	Screw
	3	C7790-60203	1
Q6655-60069		1	Carriage Belt (Applicable to 70, 90, 90r)
C7791-60233		1	Carriage Belt (Applicable to 100, 100+, 110, 110+, 110+nr, 120, 120nr, 130 and 130nr)
Q6655-60064		1	Carriage Belt (Applicable to 70, 90, 90r)
4	C7790-60099	1	Encoder Strip (Applicable to 10ps, 20ps, 30, 30n, 50ps)

	C7791-60205	1	Encoder Strip (Applicable to 100, 100+, 110, 110+, 110+nr, 120, 120nr, 130 and 130nr)
6	C7790-60104	1	Encoder Strip Holder
7	0515-2812	1	Screw
8	C7790-60124	1	Tube Holder
9	C7790-60125	1	Belt Tension Spring
10	C7790-60147	1	Carriage Rod (Applicable to 10ps, 20ps, 30, 30n, 50ps)
11	0515-2598	2	Screw
12	-	1	Left Encoder Strip Holder
-	C7790-60216	1	Turnaround Assembly (Applicable to 10ps, 20ps, 30, 30n, 50ps)
-	C7791-60212		Turnaround Assembly (Applicable to (Applicable to 70, 90, 90r, 100, 100+, 110, 110+, 110+nr, 120, 120nr, 130 and 130nr)



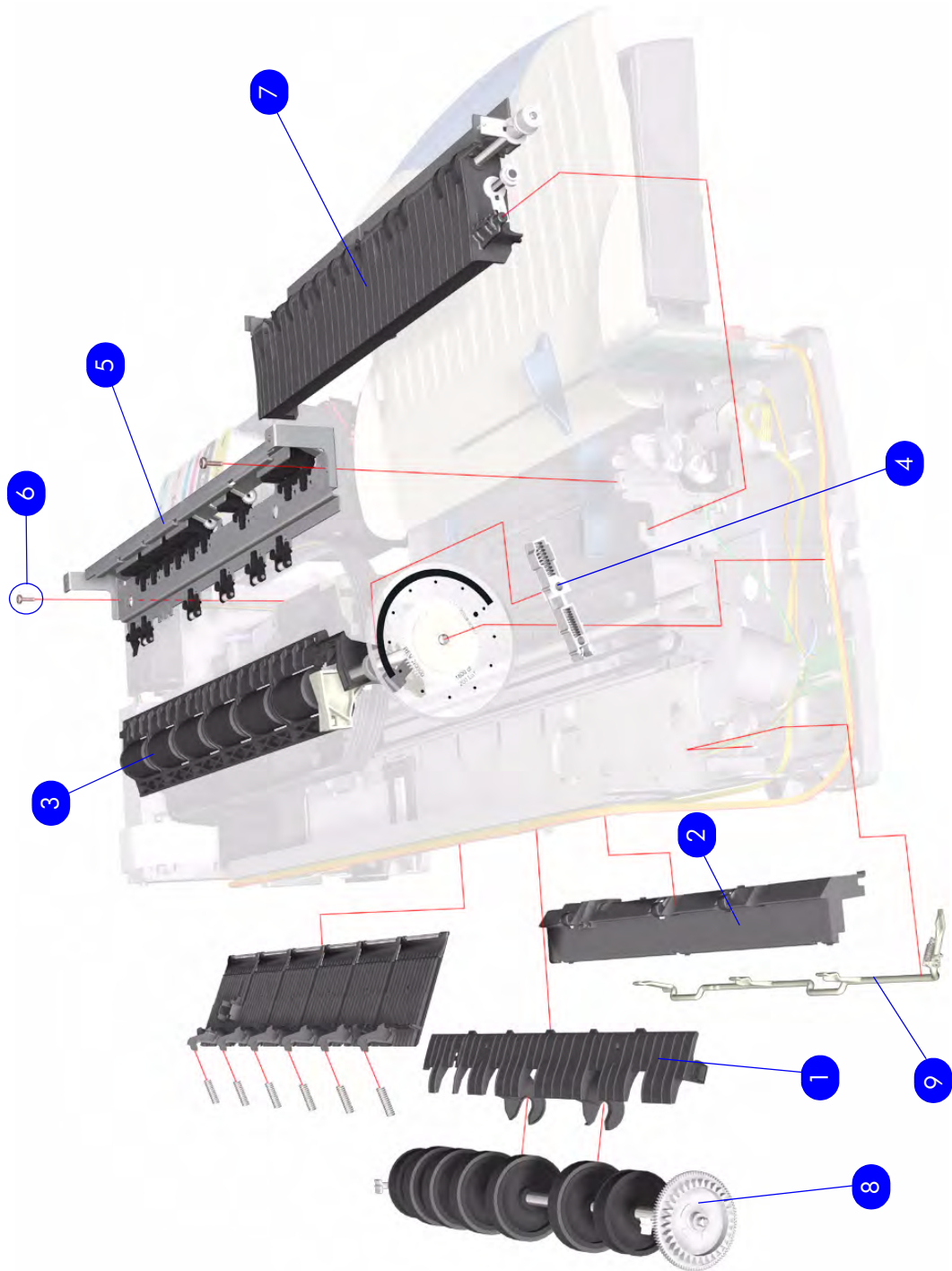


**Figure 6: Scan-Axis Assemblies**

## Top Paper Path Assemblies (1 of 2)

**Applicable Designjets: 10ps, 20ps, 30, 30n, 50ps**

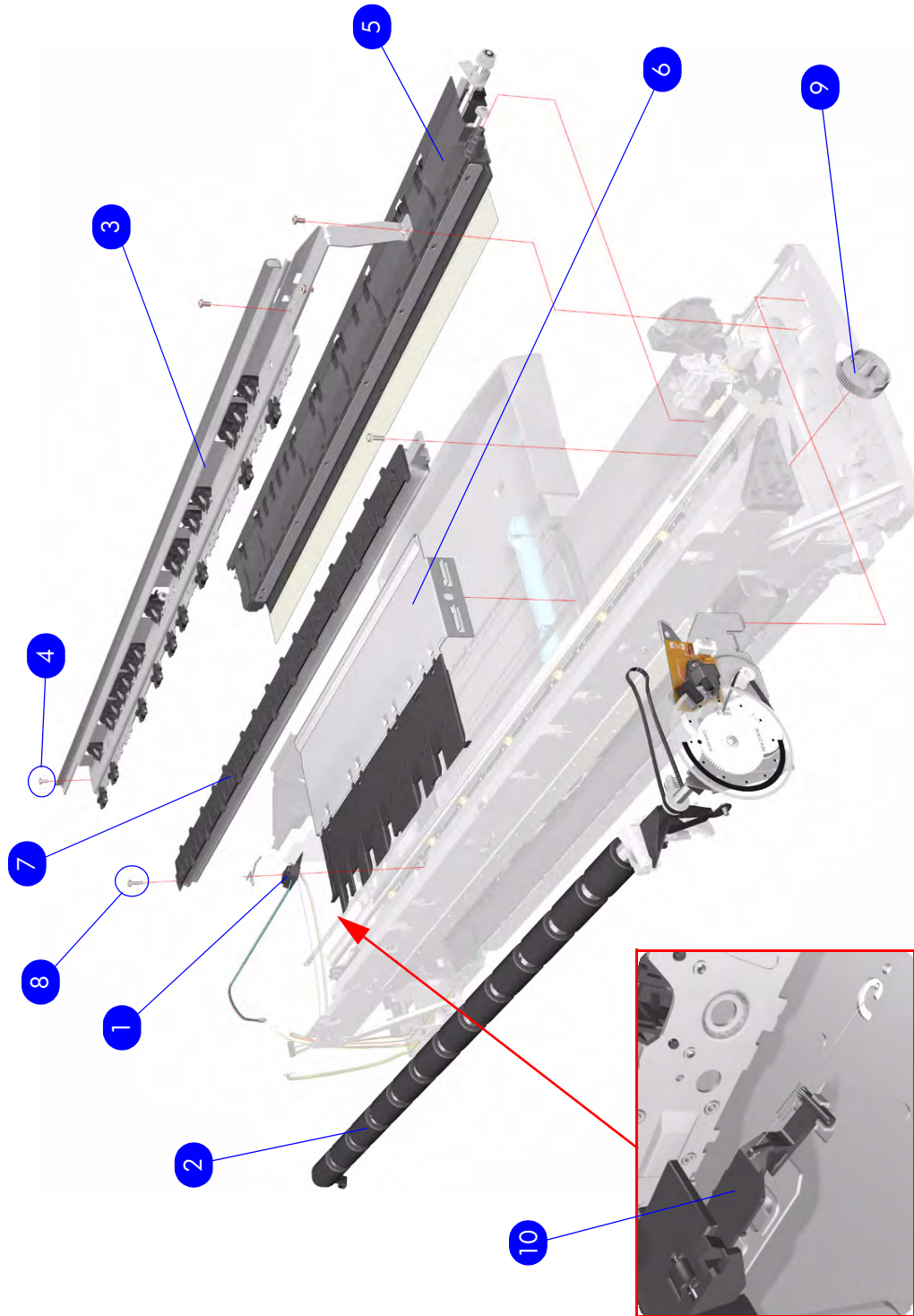
Top Paper Path Assemblies			
Reference on Drawing	HP Part Number	Quantity	Description/Comments
1	C8108-67049	1	Inner Paper Guide
2	C8108-67043	1	Lower Paper Guide
3	C7790-60129	1	Feed Roller Assembly (Includes Encoder Disc)
4	C8108-67035	1	Pin Linkage Assembly
5	C8108-67033	1	Starwheel Assembly
6	0515-2812	2	Screw
7	C8108-67041	1	Print Platen (Includes Output Separator)
8	C8108-67039	1	Pick Roller Assembly
9	C8108-67029	1	Kicker Assembly
-	C8108-67030	1	Miscellaneous Plastic Parts (includes Plift Block, Pin Caber, Pick Cam, FDRLR Idler Gear)
-	Q1292-60209	1	OPPS Sensor Kit



**Figure 7: Top Paper Path Assemblies**

## Top Paper Path Assemblies (2 of 2)

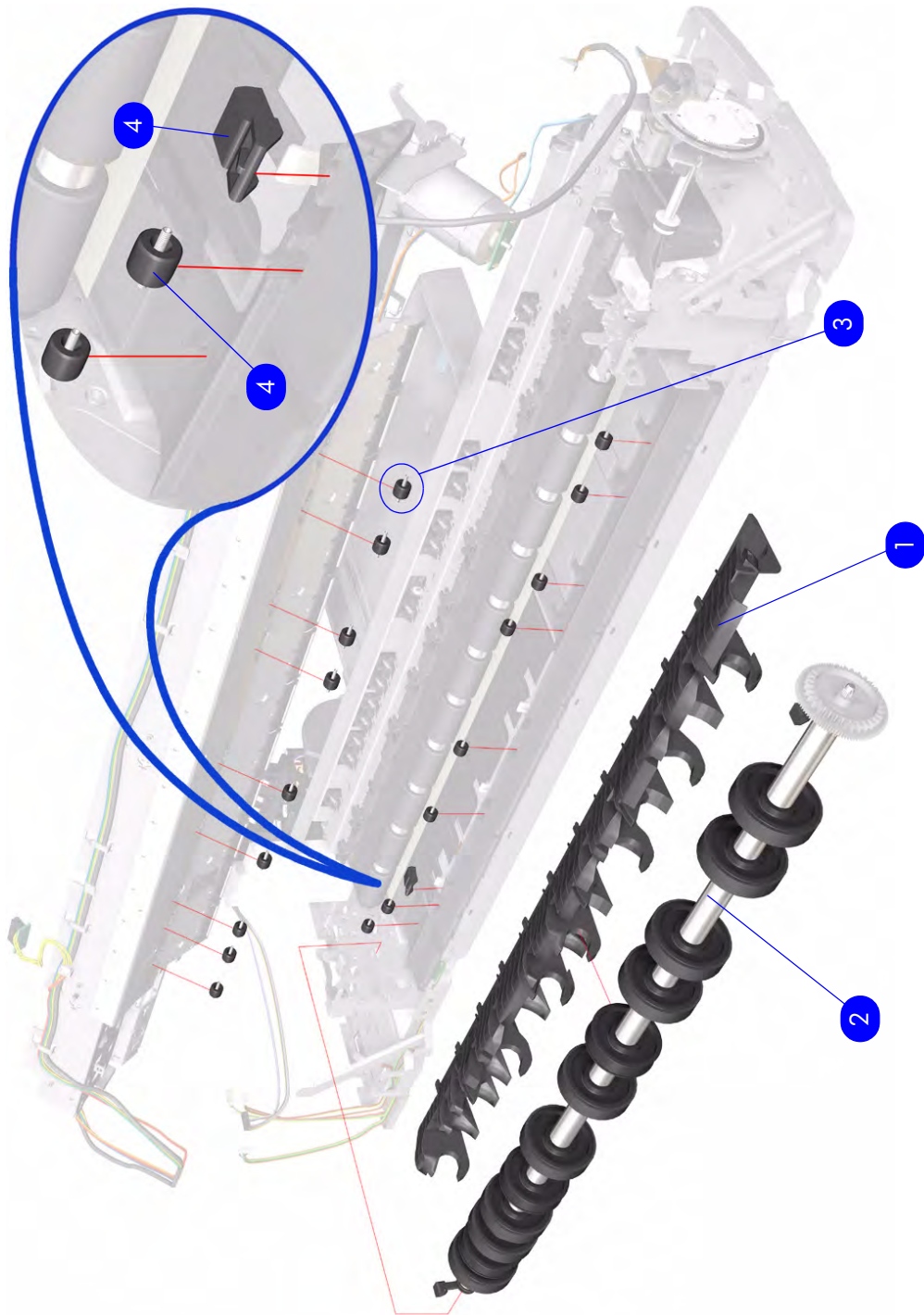
Top Paper Path Assemblies			
Reference on Drawing	HP Part Number	Quantity	Description/Comments
1	Q1292-60209	1	OPPS Sensor Kit
2	Q6655-60122	1	Feed Roller Assembly (Includes Encoder Disc and Paper Axis Motor Assembly) (Applicable to 70, 90, 90r)
	Q1292-60211	1	Feed Roller Assembly (Includes Encoder Disc and Paper Axis Motor Assembly) (Applicable to 100, 100+, 110, 110+, 110+nr, 120, 120nr, 130 and 130nr)
3	Q6655-60082	1	Starwheel Assembly (Applicable to 70, 90, 90r)
	C7791-60245	1	Starwheel Assembly (Applicable to 100, 100+, 110, 110+, 110+nr, 120, 120nr, 130 and 130nr)
4	0515-2812	2	Screw
5	Q6655-60139	1	Print Platen (Applicable to 70, 90, 90r)
	Q1292-60227		Print Platen (Applicable to 100, 100+, 110, 110+, 110+nr, 120, 120nr, 130 and 130nr)
6	C7791-60287	1	Bypass Platen Kit (Applicable to 100, 100+, 110, 110+, 110+nr, 120, 120nr, 130 and 130nr)
	Q6655-60074	1	Bypass Platen Kit (Applicable to 70, 90, 90r)
7	C7796-60217	1	Pivot Assembly (Applicable to 100, 100+, 110, 110+, 110+nr, 120, 120nr, 130 and 130nr)
	Q6656-60102	1	Pivot Assembly (Applicable to 70, 90, 90r)
8	0515-2555	2	Screw
9	C7791-60232	1	Pick Cam (Applicable to 70, 90, 90r, 100, 100+, 110, 110+, 110+nr, 120, 120nr, 130 and 130nr)
10	Q1292-00002	1	Bypass Platen Actuator & Spring (Applicable to 100+, 110+, 110+nr, 120, 120nr, 130 and 130nr)
	Q6655-60088	1	Bypass Platen Actuator & Spring (Applicable to 70, 90, 90r)
-	C8108-67030	1	Miscellaneous Plastic Parts (includes Plift Block, Pin Caber, Pick Cam, FDRLR Idler Gear)



**Figure 8: Top Paper Path Assemblies**

## Rear Paper Path Assemblies

Rear Paper Path Assemblies			
Reference on Drawing	HP Part Number	Quantity	Description/Comments
1	Q6655-60063	1	Inner Paper Guide (Applicable to 70, 90, 90r)
	C7791-60202	1	Inner Paper Guide (Applicable to 100, 100+, 110, 110+, 110+nr, 120, 120nr, 130 and 130nr)
2	Q1292-60210	1	Pick Roller Assembly
	Q6655-60123	1	Pick Roller Assembly (Applicable only to 70, 90, 90n)
3	C7791-60230	1	Upper Roller Kit
4	C7791-60235	1	Lower Paper Guide Bits

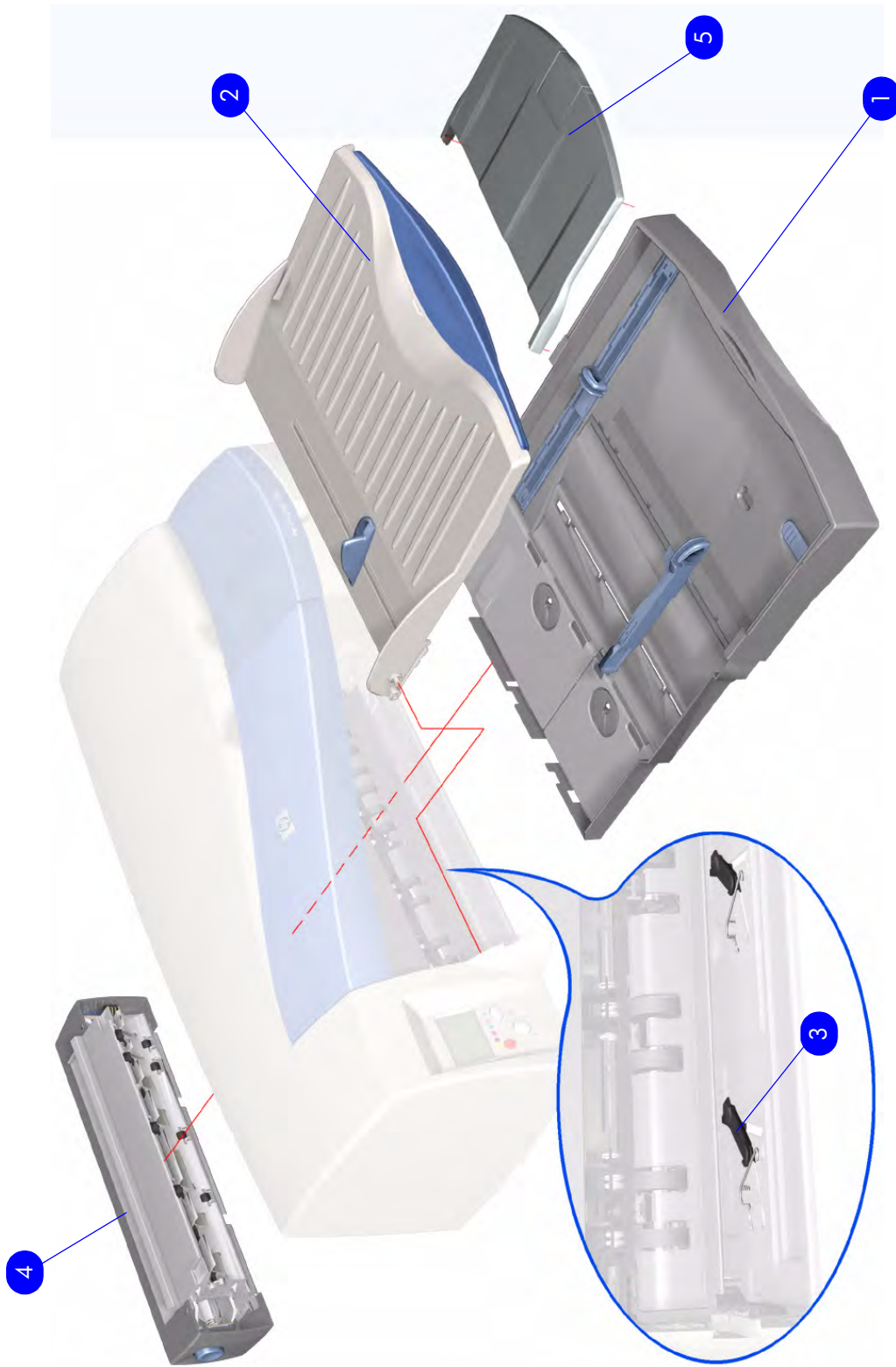


**Figure 9: Rear Paper Path Assemblies**

## Paper Feed Assemblies

Paper Feed Assemblies				
Reference on Drawing	HP Part Number	Quantity	Description/Comments	
1	C8108-67044	1	Main Tray Assembly (Applicable to 10ps, 20ps, 30, 30n, 50ps)	
	Q1292-60097	1	Main Tray Assembly (Applicable to 70, 90, 90r, 100+, 110+, 110+nr, 130 and 130nr)	
	C7791-60146	1	Main Tray Assembly (Applicable to 100, 110, 120, 120nr)	
2	C7790-60149	1	Output Tray Assembly (Applicable to 10ps, 20ps and 50ps)	
	C7790-60448	1	Output Tray Assembly (Applicable to 30 and 30n)	
	Q6655-60101	1	Output Tray Assembly (Applicable to 70)	
	Q6656-60072	1	Output Tray Assembly (Applicable to 90, 90r)	
	C7791-60280	1	Output Tray Assembly (Applicable to 130 and 130nr)	
	C7796-60063	1	Output Tray Assembly (Applicable to 100, 100+, 110, 110+, 110+nr)	
	C7791-60145	1	Output Tray Assembly (Applicable to 120, 120nr)	
	3	C8108-67050	2	Drawer and Spring Cam
	4	Q1293-60067	1	Cleanout Assembly (Rear-Feed) (Applicable to 10ps, 20ps, 30, 30n, 50ps)
C1292-60215		1	Cleanout Assembly (Rear-Feed) (Applicable to 100, 100+, 110, 110+, 110+nr, 120, 120nr, 130 and 130nr)	
Q6655-60125		1	Cleanout Assembly (Rear-Feed) (Applicable to 70, 90, 90r)	
5	C7791-60297		Input tray Cover (Applicable to 70, 90, 90r, 100+, 110+, 110+nr, 130 and 130nr)	

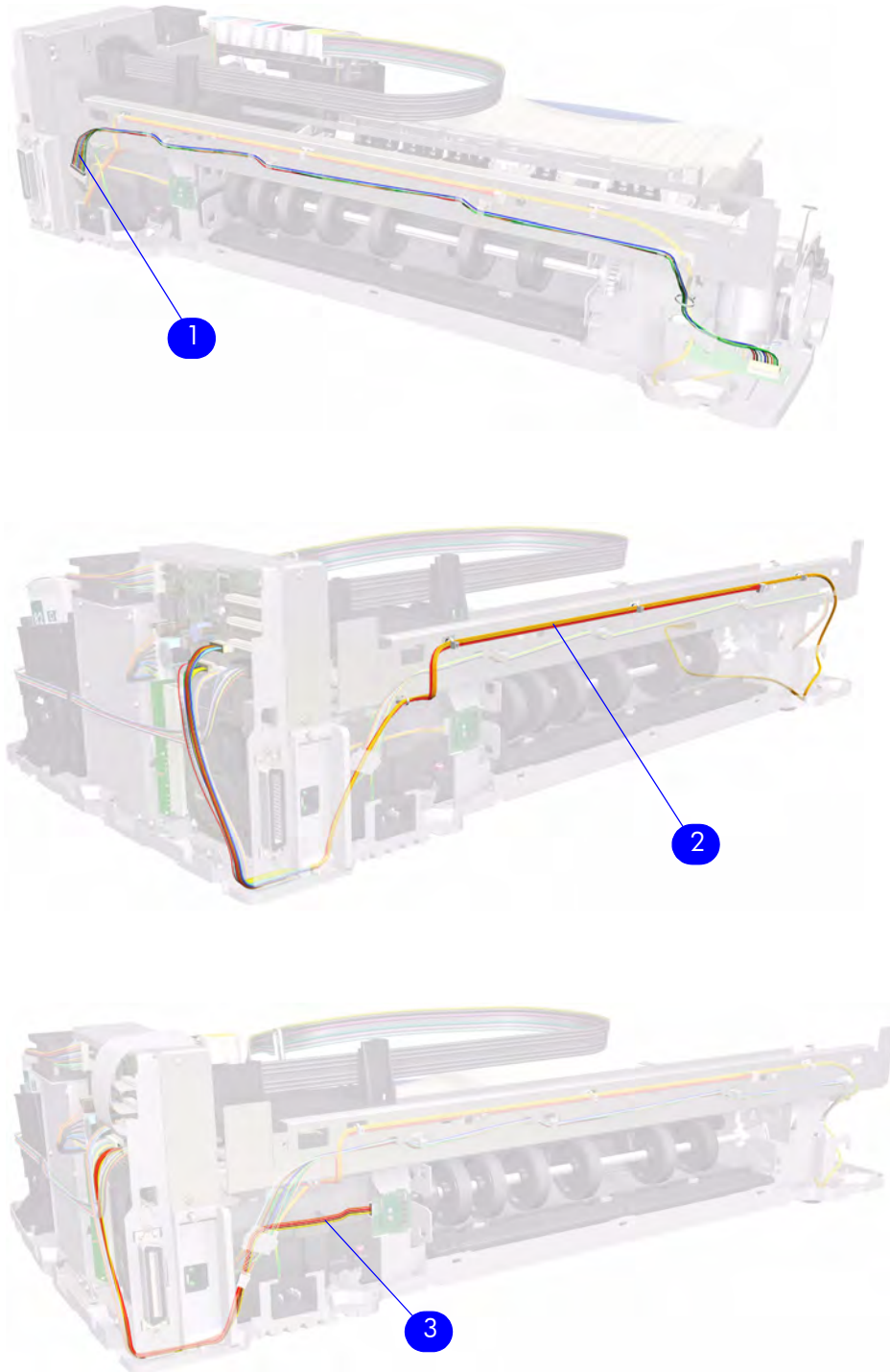




**Figure 10: Paper Feed Assemblies**

## Cable Harnesses

Cable Harnesses			
Reference on Drawing	HP Part Number	Quantity	Description/Comments
1	C7790-60120	1	Motor Harness (Applicable to 10ps, 20ps, 30, 30n, 50ps)
	C7791-60213	1	Motor Harness (Applicable to 70, 90, 90r, 100, 100+, 110, 110+, 110+nr, 120, 120nr, 130 and 130nr)
2	C7790-60121	1	Encoder Harness (Applicable to 10ps, 20ps, 30, 30n, 50ps)
	C7791-60214	1	Encoder Harness (Applicable to 70, 90, 90r, 100, 100+, 110, 110+, 110+nr, 120, 120nr, 130 and 130nr)
3	C7790-60122	1	Duplexer OOP Sensor Harness (Applicable to 10ps, 20ps and 50ps)
-	C7790-60421	1	Front Panel Harness
-	C7791-60231	1	Duplexer OOPS Harness (Applicable to 70, 90, 90r, 100, 100+, 110, 110+, 120, 120nr, 130 and 130nr)

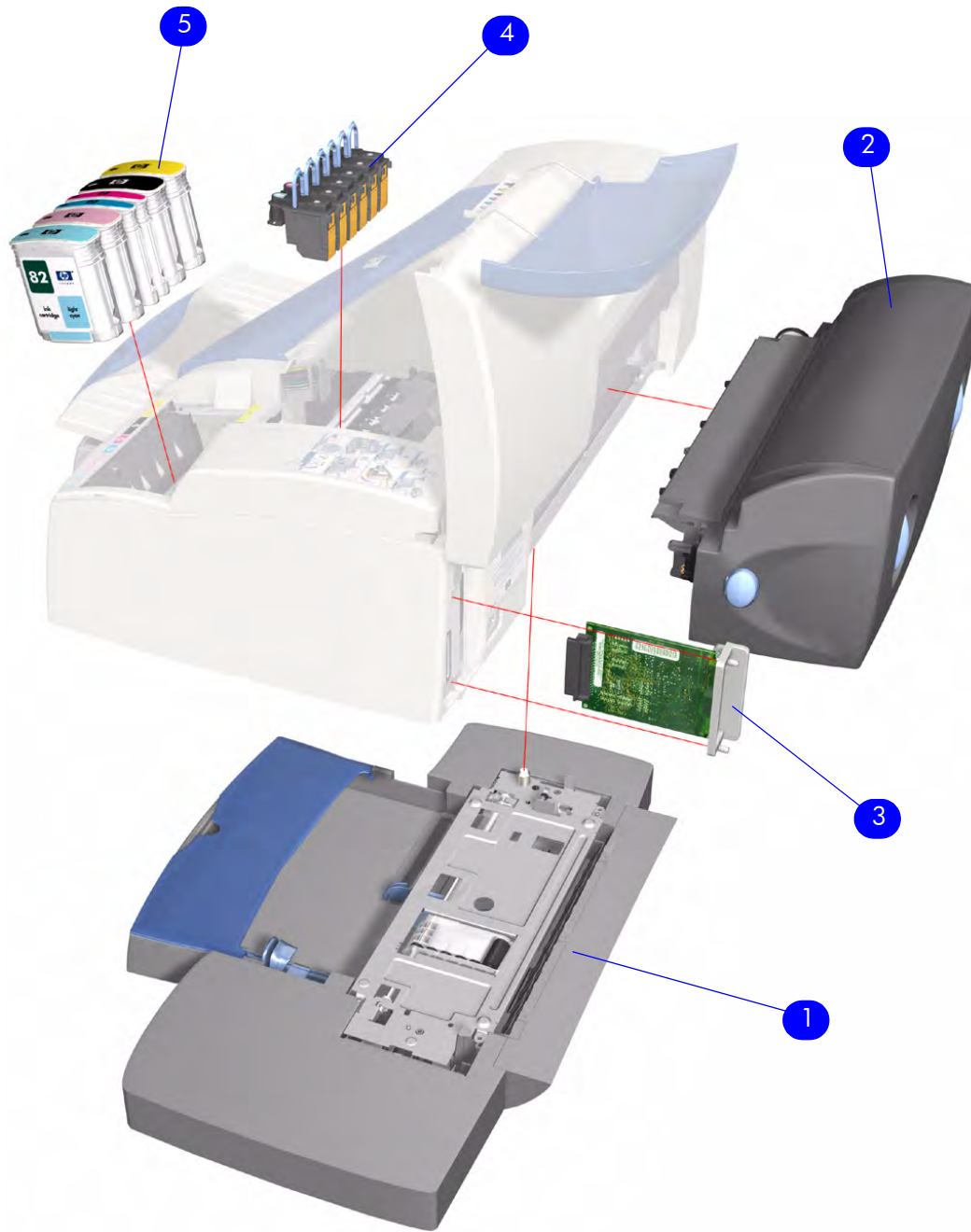


**Figure 11: Cable Harnesses**

## Ink Supplies & Accessories (1 of 4)

**Applicable to Designjets: 10ps, 20ps & 50ps**

Ink Supplies and Accessories			
Reference on Drawing	HP Part Number	Quantity	Description/Comments
1	C8109-67016	1	Secondary Tray
2	C8108-67053	1	Duplexer
3	J4169-61001	1	Network Card (Replacement)
	J4169-69001	1	Network Card (Exchange)
4	C5019-80008	1	Black Printhead
	C4810-60067	1	Cyan Printhead
	C4812-60005	1	Magenta Printhead
	C4813-60004	1	Yellow Printhead
	C5020-80008	1	Light Cyan Printhead
	C5021-80008	1	Light Magenta Printhead
5	C5016-80014	1	Black Ink Cartridge
	C4911-61002	1	Cyan Ink Cartridge
	C4912-61003	1	Magenta Ink Cartridge
	C4913-61003	1	Yellow Ink Cartridge
	C5017-80016	1	Light Cyan Ink Cartridge
	C5018-80014	1	Light Magenta Ink Cartridge
-	C7790-60217	1	Electronics End Cap

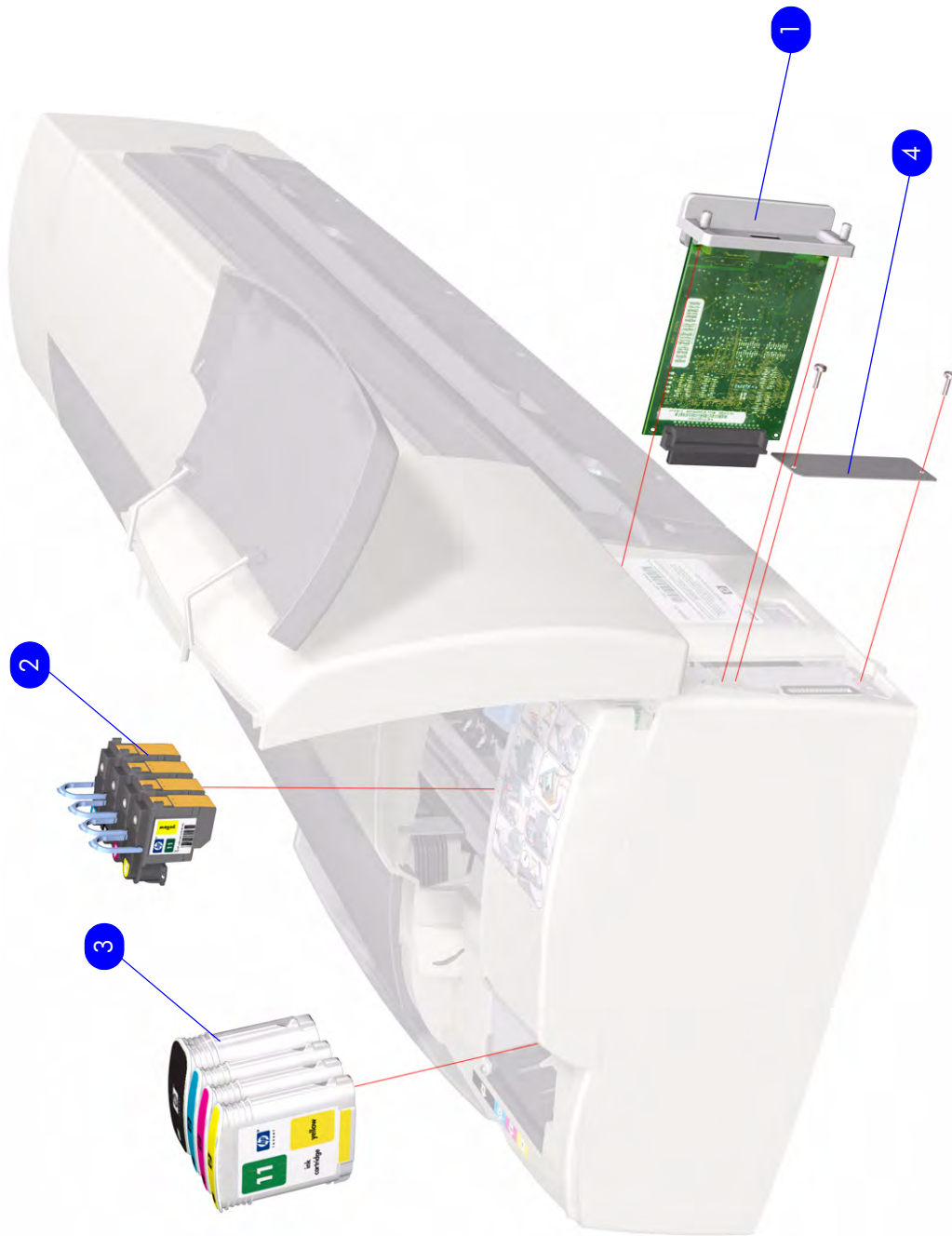


**Figure 12: Ink Supplies and Accessories (Applicable to 10ps, 20ps and 50ps)**

## Ink Supplies and Accessories (2 of 4)

**Applicable to Designjets: 100, 100+**

Ink Supplies and Accessories			
Reference on Drawing	HP Part Number	Quantity	Description/Comments
1	J6057-61001	1	Network Card (New)
	J6057-69001	1	Network Card (Exchange)
2	C4810-60066	1	Black Printhead
	C4810-60067	1	Cyan Printhead
	C4812-60005	1	Magenta Printhead
	C4813-60004	1	Yellow Printhead
3	C4844-60053	1	Black Ink Cartridge
	C4911-61002	1	Cyan Ink Cartridge
	C4912-61003	1	Magenta Ink Cartridge
	C4913-61003	1	Yellow Ink Cartridge
4	C7790-60217	1	Electronics End Cap
-	C7790-60425	1	USB Cable (5m)



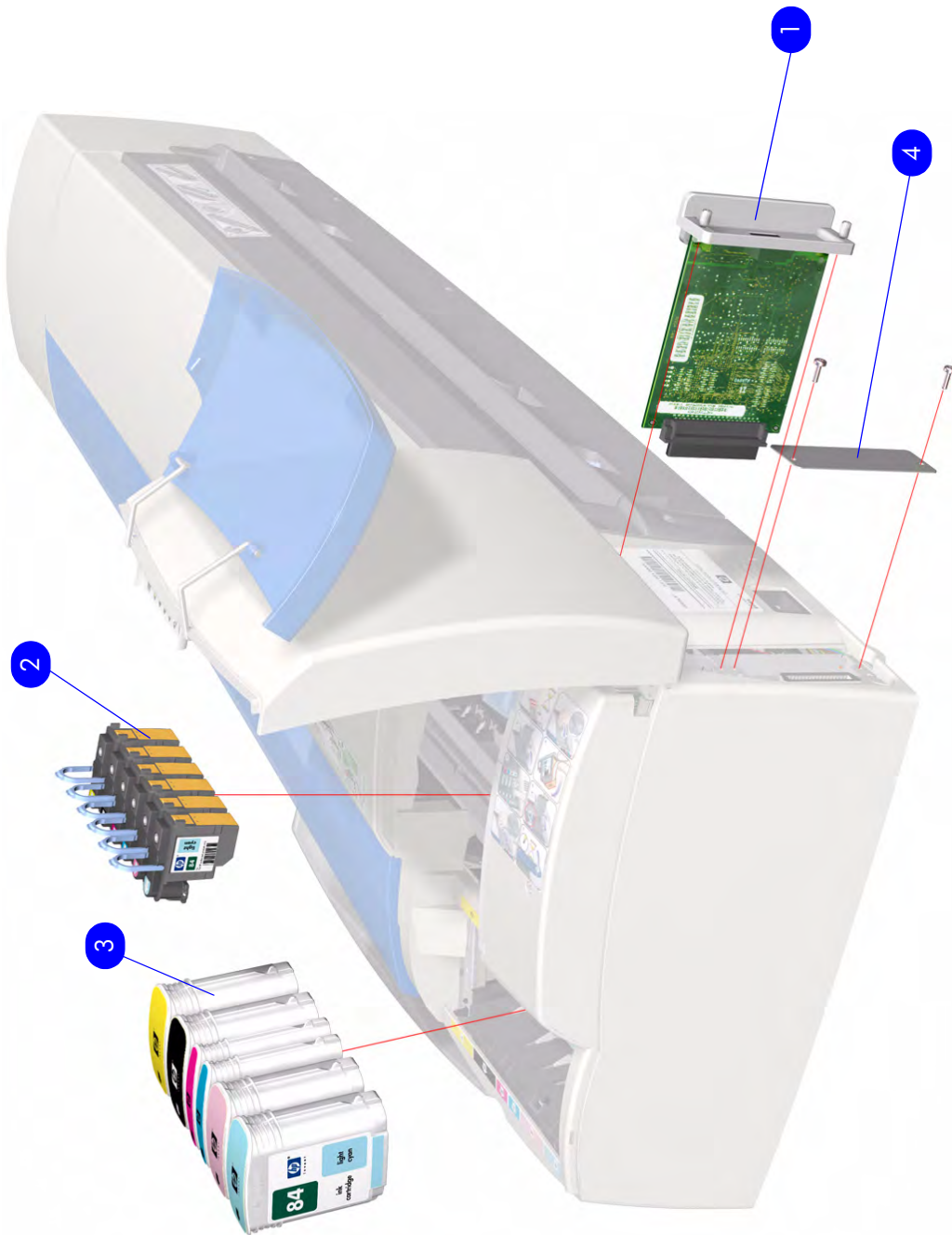
**Figure 13: Ink Supplies and Accessories**

## Ink Supplies & Accessories (3 of 4)

### Applicable to DesignJets 120, 120nr)

Ink Supplies and Accessories			
Reference on Drawing	HP Part Number	Quantity	Description/Comments
1	J6057-61001	1	Network Card (New)
	J6057-69001	1	Network Card (Exchange)
2	C5019-80008	1	Black Printhead
	C4810-60067	1	Cyan Printhead
	C4812-60005	1	Magenta Printhead
	C4813-60004	1	Yellow Printhead
	C5020-80008	1	Light Cyan Printhead
	C5021-80008	1	Light Magenta Printhead
3	C5016-80014	1	Black Ink Cartridge
	C4911-61002	1	Cyan Ink Cartridge
	C4912-61003	1	Magenta Ink Cartridge
	C4913-61003	1	Yellow Ink Cartridge
	C5017-80016	1	Light Cyan Ink Cartridge
	C5018-80014	1	Light Magenta Ink Cartridge
4	C7790-60217	1	Electronics End Cap
-	C7790-60425	1	USB Cable (5m)



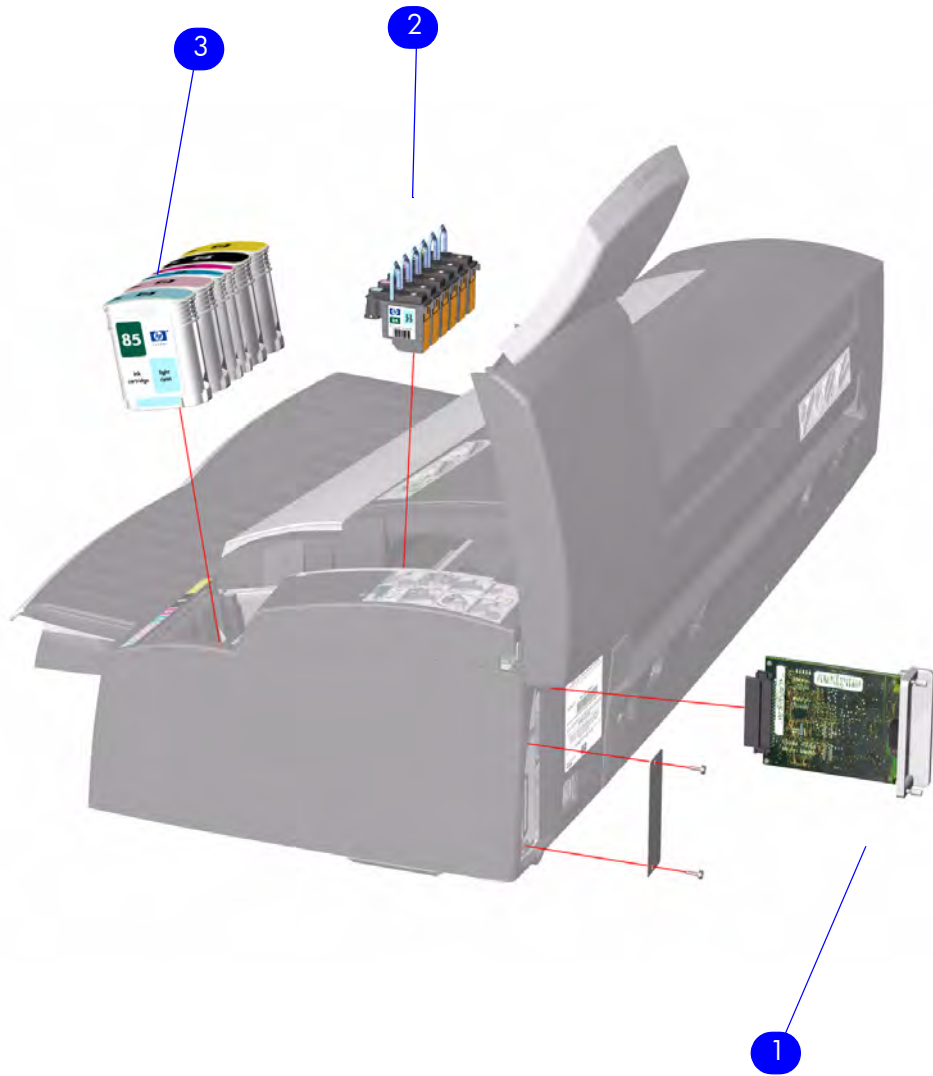


**Figure 14: Ink Supplies & Accessories (Applicable to DesignJet 120/120nr)**

## Ink Supplies & Accessories (4 of 4)

**Applicable to Designjets: 30, 30n, 70, 90, 90r, 130, 130nr**

Ink Supplies and Accessories			
Reference on Drawing	HP Part Number	Quantity	Description/Comments
1	J4169-61001	1	Network Card (Replacement)
	J4169-69001	1	Network Card (Exchange)
2	C5019-80008	1	Black Printhead
	C9420-88001	1	Cyan Printhead
	C9421-88001	1	Magenta Printhead
	C9422-88001	1	Yellow Printhead
	C9423-88001	1	Light Cyan Printhead
	C9424-88001	1	Light Magenta Printhead
3	C5016-80014	1	Black Ink Cartridge
	C9425-88001	1	Cyan Ink Cartridge
	C9426-88001	1	Magenta Ink Cartridge
	C9427-88001	1	Yellow Ink Cartridge
	C9428-88001	1	Light Cyan Ink Cartridge
	C9429-88001	1	Light Magenta Ink Cartridge
-	C7790-60217	1	Electronics End Cap
-	C7790-60425	1	USB Cable (5m)

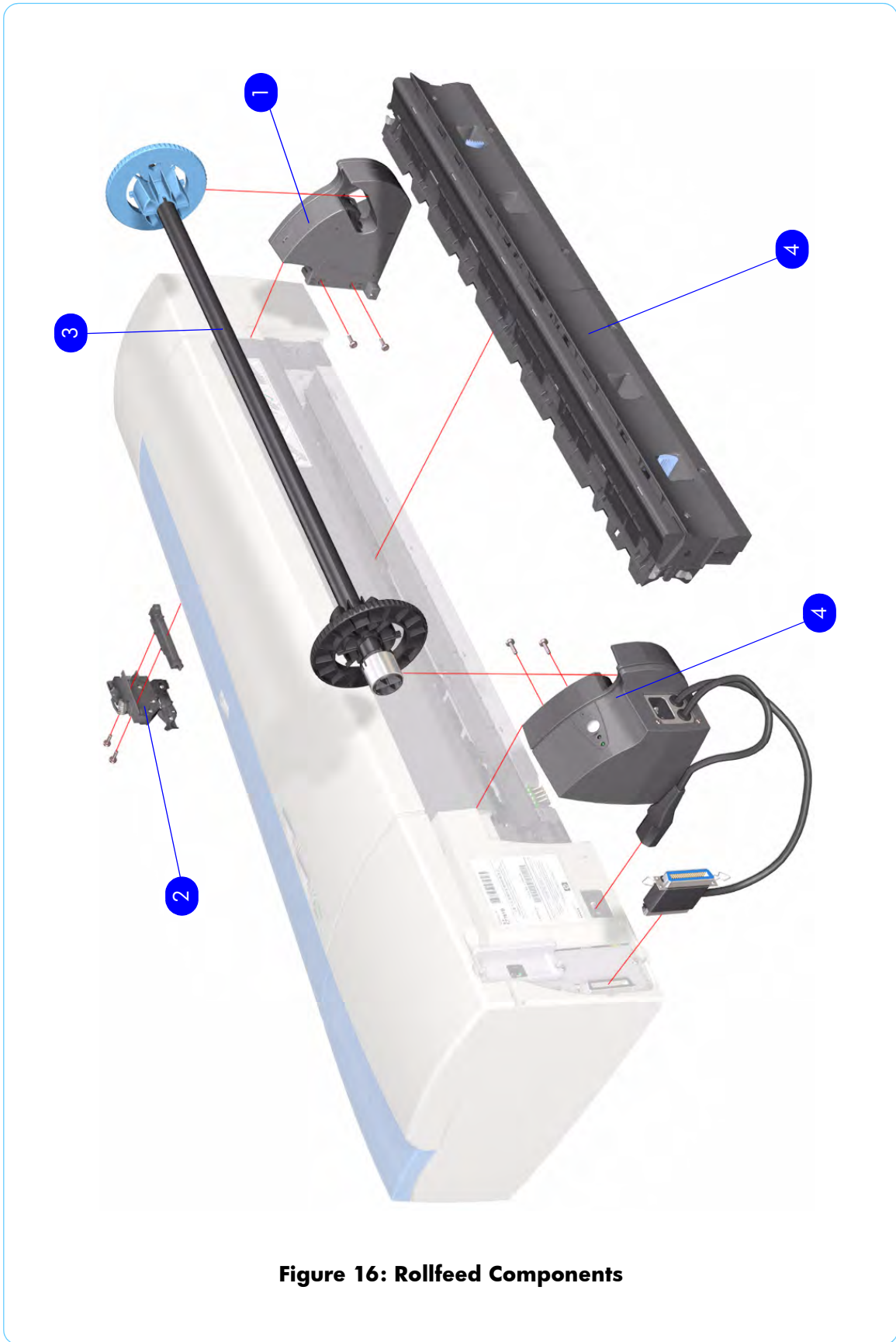


**Figure 15: Ink Supplies & Accessories**

## Rollfeed Components

**Applicable to Designjets: 90r, 110, 110+, 110+nr, 120nr, 130nr**

Rollfeed Components			
Reference on Drawing	HP Part Number	Quantity	Description/Comments
1	Q1292-60238	1	Rollfeed Bracket Kit (ROHS)
2	C7797-60064	1	Cutter
3	C7797-60008	1	Spindle
	Q6655-60081	1	Spindle (Applicable only to 70, 90, 90r)
4	Q1247-60023	1	Automatic Roll Replacement Kit (Only applicable to 110+nr, 120nr, 130nr)

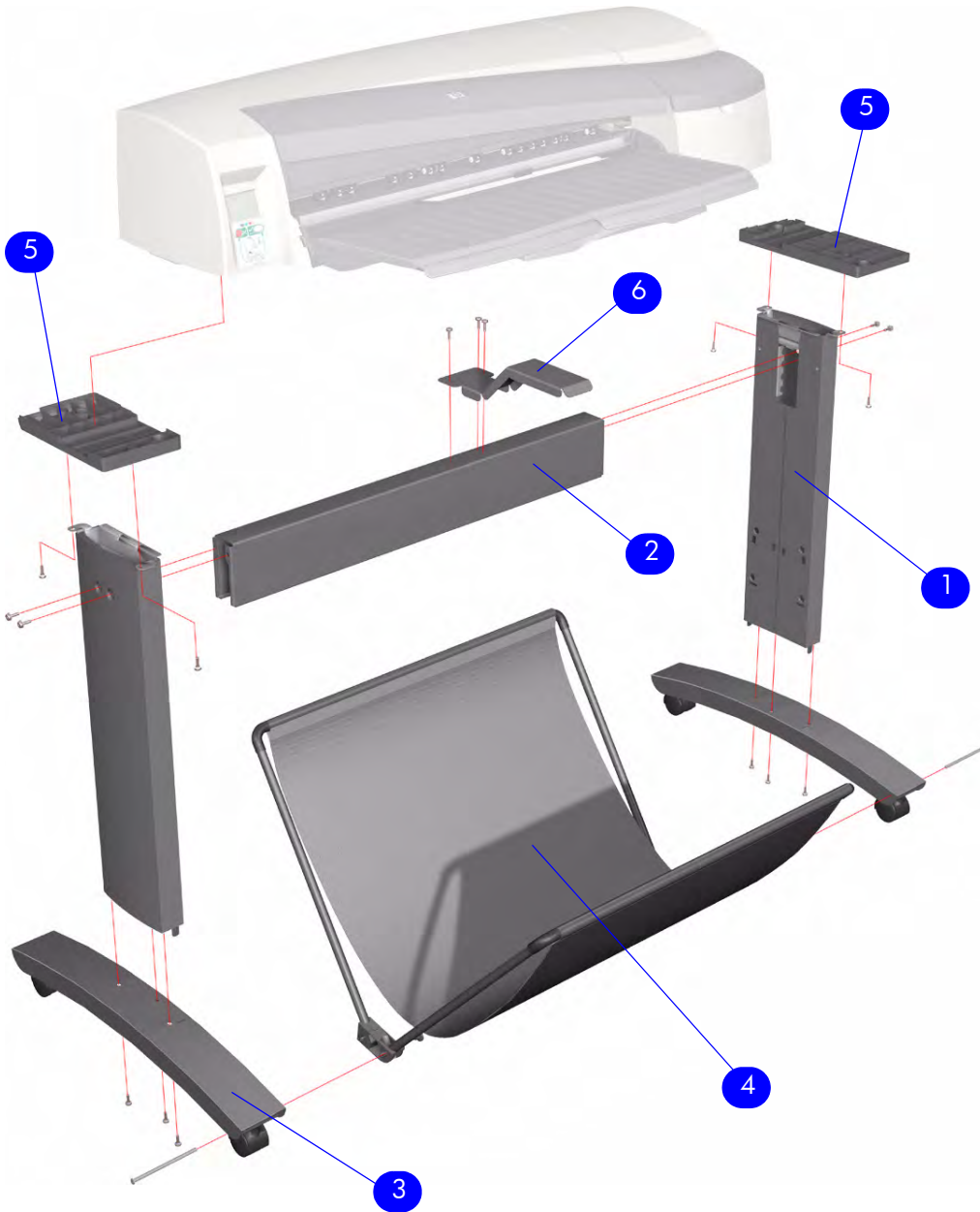


**Figure 16: Rollfeed Components**

## Printer Stand and Basket

**Applicable Designjet 100, 100+, 120, 120nr, 130, 130nr**

Printer Stand and Basket			
Reference on Drawing	HP Part Number	Quantity	Description/Comments
1	Q1246-60007	2	Legs Assembly
2	Q1246-60008	1	X-Brace Assembly
3	Q1246-60009	2	Foot Assembly
4	Q1246-60010	1	Basket Kit
5	Q1246-60011	1	Base Adaptor (Left and Right)
6	Q1246-60012	1	Input Tray Support
-	Q1246-60013	1	Hardware Kit



**Figure 17: Printer Stand and Basket**